

CHEMLIN[®]



**VERTICAL
SUBMERGED
PUMPS**

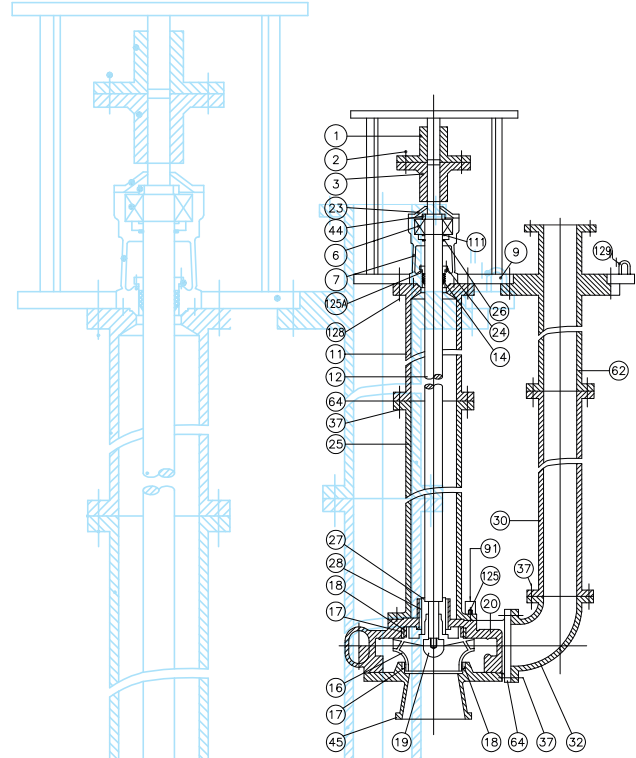


Reg. No. 9910000526

Designed to meet your Specifications!

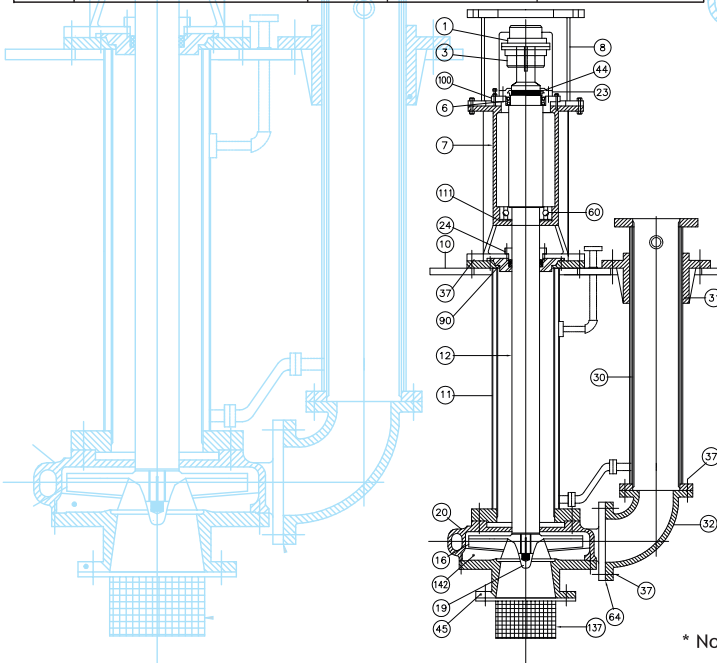
VCP - STANDARD CONSTRUCTION (JACKETED / NON- JACKETED)

NO	PART	QTY	MATERIAL		
1	Motor Half Coupling	1	CI	CS	SS
2	Coupling Spider/ Pins	1 Set	M.S. With Rubber Bushes		
3	Pump Half Coupling	1	CI	CS	SS
6	Ball Bearing	1	BearingSteel		
7	Ball Bearing Housing	1	CI	CS	SS
9	Motor Stand	1	M.S. fabricated		
11	Upper Boot	1	CI	Alloy Iron	CS
12	Shaft	1	EN8/EN9		
14	Gland Packing	1 Set	ASB	NON ASB	Ptfe
16	Impeller	1	CI	Alloy Iron	SS
17	Impeller Ring	2	CI	Alloy Iron	SS
18	Casing Ring	2	CI	Alloy Iron	SS
19	Impeller Nut	1	EN8		SS
20	Volute	1	CI	Alloy Iron	SS
23	Ball Brg. Hsg. Cap.	1	CI	SS	
24	Stuffing Box Gland	1	CI	SS	
25	Lower Boot	1	CI	CS	Alloy Iron
26	Oil Seal	1	Rubber		Neoprene
27	Volute Journal	1	CI	Alloy Iron	SS
28	Volute Bearing	1	CI	Alloy Iron	SS
30	Discharge Pipe	1	CI	CS	Alloy Iron
32	Discharge Elbow	1	CI	CS	Alloy Iron
37	Nuts And Bolts	1 Set	EN8	SS	AS
44	Brg. lock Nut	1	CS	MS	
45	Suction Head	1	CI	Alloy Iron	SS
62	Discharge Spool	1	CI	CS	Alloy Iron
64	Gasket Set	1 Set	ASB	NON ASB	Ptfe
91	Cap Nut	1 Set	SS	Hastalloy	
111	Snap Ring	1	Carbon Steel		
125	Studs	1 Set	EN8	SS	
128	Full Thred Bolts	1 Set	EN8	SS	
129	Lifting Lug / Eye Bolts	1 Set	EN8	SS	
125A	Studs	1 Set	EN8	SS	



VCP-CANTILEVER DESIGN (JACKETED / NON- JACKETED)

NO	PART	QTY	MTL		
1	Motor Half Coupling	1	CI	CS	
3	Pump Half Coupling	1	CI	CS	
6	Ball Bearing (upper)	1	BearingSteel		
7	Ball Bearing Housing	1	CI	CS	SS
8	Motor Stool	1	M.S. Fab		
10	Base Plate	1	MS		
11	Column Pipe	1	CS	SS	
12	Shaft	1	EN8		
16	Impeller	1	CI	CS	SS
19	Impeller Nut	1	EN8		SS
20	Volute	1	CI	CS	SS
23	Ball Brg. Hsg. Cap.	1	CI	CS	
24	Stuffing Box Gland	1	CI	CS	
30	Discharge Pipe	1	CS		
31	'C' Clamp	1	CI	CS	
32	Discharge Elbow	1	CS		
37	Nuts And Bolts	1Set	SS	CS	
43	Brg. Lock Washer	1	CS		
44	Brg. Lock Nut	1	CS		
45	Suction Cover	1	CI	CS	SS
60	Ball Bearing (lower)	1	Brg.Steel		
64	Gasket Set	1set	ASB	NON ASB	PTFE
90	Stuffing Box	1	CI	CS	
100	Adjusting Sleeve	1	CI	CS	
111	Snap Ring	1	CS		
137	Suction Strainer	1	MS	SS	
142	Suction Plate	1	CS	SS	

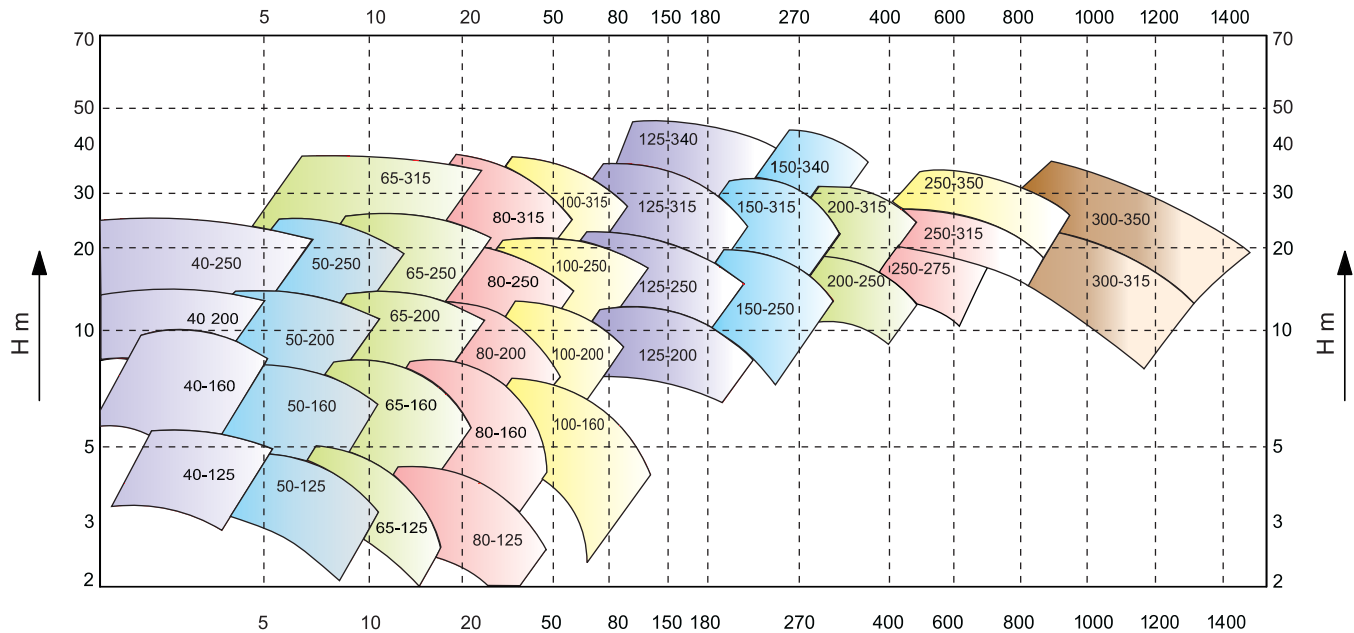


* Note : Direction of rotation is anticlockwise as viewed from coupling end.

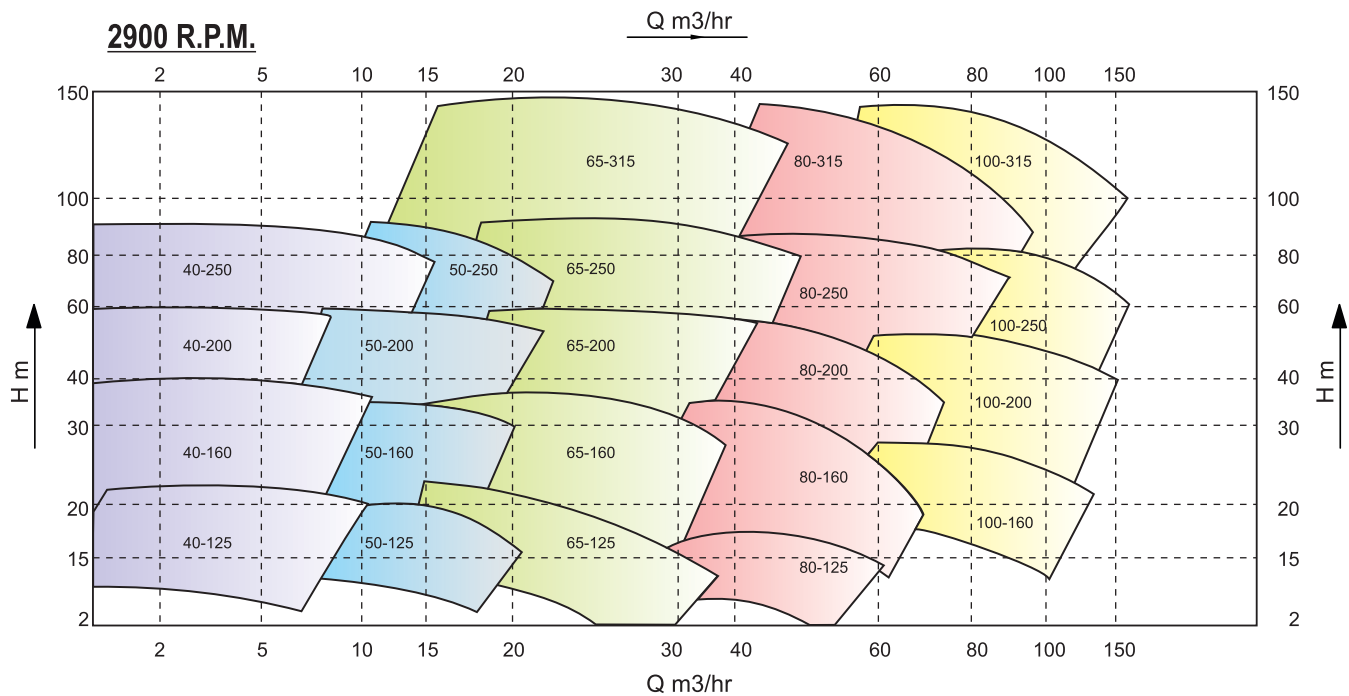
PERFORMANCE RANGE CHART

Excellent coverage of "CHEMLIN" Make Vertical Submerged type Centrifugal pumps gives you more & better selection at any design point. This means, even at application points falling at the top or bottom of the chart, where efficiency is traditionally hard to come by, you can select a pump to reduce costs and do your job better. Each pump is designed for optimum performance with reliability and low cost.

1450 R.P.M.



2900 R.P.M.



* Note in the designation used for various pump sizes, the first number indicates the Suction Diameter & second number the Maximum Impeller Diameter.



Chemlin Pumps and manufactured at a modern manufacturing set up at Kagal Since 1987. This plant has a state-of-the-art technology and instrumentation for pump testing which is done by using a computerized Pump testing facility.

'Chemlin' has a strong, experienced and dedicated workforce with technocrats having years of experience in handling various grades of materials and modern machining practices for achieving excellent quality of product. The complete design and manufacturing process is standardized under ISO 9001-2015 Quality Management System. The Business Associates of 'Chemlin' are placed at strategic locations in the various parts of country to give prompt services to all our valued customers.

Chemlin Pumps and Valves are being used in various Process Industries all over India & abroad. The products are designed and manufactured to International Standards and offer all desired features and options for maintenance free operations. 'Chemlin' brand products are serving the Chemical and Process Industry for over last three decades and have become the first choice of Maintenance Engineers everywhere.

APPLICATIONS :

- Circulation of hazardous chemicals
- Sewage and toxic liquids.
- Handling Industrial Slurries
- Handling viscous liquids like Molten Sulphur, Molten Lead etc.
- Acids & Alkalis.

RANGE :

Capacity : Upto 1500 M³/Hr
Temperature : 20°C to 200°C
Head : Upto 140 MLC

Size : 25mm to 300 mm
Working Pressure : 25 Kg/ cm²
Pump Setting : Upto 5 mts



DESIGN FEATURES :

1. Closed type and Semi-open type Impeller designs are offered to handle a variety of Liquids. Impeller & Casing are designed for maximum hydraulic efficiency and minimum thrust on rotating assembly.
2. Unique space-saving design due to vertical mounting of Pump. Impeller Casing totally submerged in liquid so no priming or air venting required. Inside tank & outside tank mounting designs available for respective applications.
3. Glandless type and/or Vapour sealing type execution available. In Vapour sealing design, the gland & acid resistant asbestos packing prevents the leakage of vapours of hazardous liquids from coming out. Thus the environment is kept free from pollution & dangers of inflammable obnoxious liquids.
4. Jacketed stuffing box/bearing housing designs available for high temperature. Jacketed construction for pump is given for handling viscous liquids like molten Sulphur, Molten Lead etc.
5. Discharge/Suction flanges conform to ASA/DIN/BS standards.

MATERIAL OF CONSTRUCTION :

Graded Cast Iron, Cast Steels, CA15, CF8M, Ni-Resist, DIN 4136, 28/2 CrMo Steel, CN7M, R- 55, CD4MCu, Hastalloy grades & Special Stainless Steel Alloys.

- In search of excellence, we reserve our right to alter or change specifications without prior notice.

FOR MORE INFORMATION CONTACT OUR NEAREST BUSINESS ASSOCIATES OR WRITE DIRECTLY TO US

- PUNE : pune@chemlinindia.com
- KOLKATA : kolkata@chemlinindia.com
- N. DELHI : delhi@chemlinindia.com,
- ERNAKULAM : ernakulam@chemlinindia.com
- BARODA : vadodara@chemlinindia.com

Chemlin Pumps & Valves Pvt. Ltd.

- Office : F-5, 'Atharva Estate,' 238/2, E, Tarabai Park, Kolhapur-416 003
- H.O. : 0231-2653123 /2652098
- Fax : 0231- 2655389 . E-mail : sales@chemlinindia.com
- Works : 235/6, Pune- Bangalore Road, Kagal - 416 216. Dist. Kolhapur (Maharashtra) INDIA
- Phone : 02325 - 244108. E- mail : works@chemlinindia.com
- Website : www.chemlinindia.com

Represented By